

Sand

Technical description

Sand is a system of space-dividing upholstered walls. Thanks to their diversity, the models from the Sand line allow for furnishing many different zones in an office space.

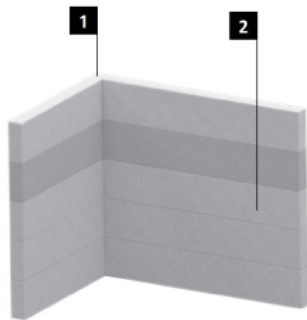
The line comprises a few basic models of various dimensions that aid in creating diverse and functional arrangements adjusted to the needs of a particular office.

Walls

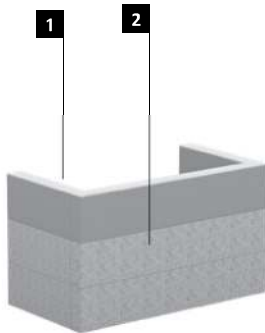
The 150 mm thick Sand wall is made of chipboard covered with hardy flammable polyurethane foam of 35 kg/m³ density and an upholstery fabric.

The wall cover is made of 18 mm thick melamine faced chipboard.

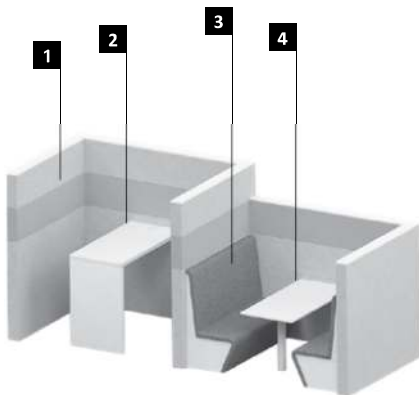
The Sand walls can be integrated with high tables or upholstered benches in the arrangements with low tables.



- 1 Cover – melamine faced chipboard 18mm
- 2 Levels (3, 4 or 5)



- 1 Cover – melamine faced chipboard 18mm
- 2 Levels (3, 4 or 5)



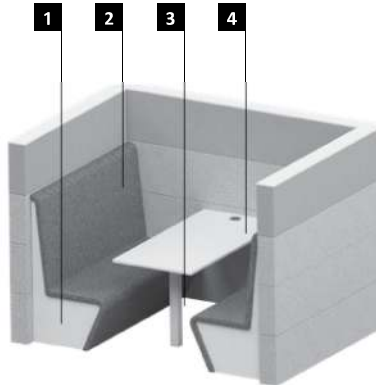
- 1 Sand wall
- 2 Sand high table with a chipboard leg
- 3 Sand bench, left and right
- 4 Sand low table with a metal leg

Benches

The bench carcass is made of plywood and 18 mm thick chipboard. The benches are covered with hardy flammable polyurethane foam of 35 kg/m³ density and an upholstery fabric made of natural wool. The bench sides are made of melamine faced chipboard.

Low table with a metal leg

The Sand table top with a metal leg is made of 25 mm thick melamine faced chipboard. The metal leg with a 70 × 70 mm square diameter is powder-coated in 3 colours (WHITE, ALU and BLACK).



- 1 Bench side – 18mm thick chipboard
- 2 Bench seat and backrest – upholstered
- 3 Metal leg with a 70×70mm
- 4 Table top made of 25mm thick melamine faced chipboard

High table with a chipboard leg

The Sand table top with a chipboard leg is made of 50 mm thick laminated cellular board; the leg is made of 50 mm thick melamine faced chipboard.

Pouffes

The pouffes are made of expanded polystyrene and a carcass made of 25 mm thick chipboard covered with foam and upholstery. The pouffes are available as mobile versions (with castors) and stationary versions (with feet).

Reception walls

Reception wall consists of single units (empty inside), total thickness 150 mm. Each of them is made of melamine faced chipboard (MFC), thickness 18 mm, covered with fire retardant foam, thickness 6 mm, density 35 kg/m³, upholstered. Wall top is made of melamine faced chipboard (MFC), thickness 18 mm. Levelling in range of 20 mm.

Note: to complete an arrangement, dedicated sizes of desks, belonging to each furniture line, should be ordered separately – details in price list.

Accessories

Fixed handle

The handle is designed for fixing 17–37" screens and TVs with a maximum load capacity of 18 kg. It is compatible with VESA:
 VESA 75 (hole distance 75 × 75 mm),
 VESA 100 (hole distance 100 × 100 mm),
 VESA 200 × 100 (hole distance 200 × 100 mm),
 VESA 200 (hole distance 200 × 200 mm).



- 1 Table top made of 50mm thick laminated cellular board
- 2 50mm thick chipboard leg
- 3 Levelling feet

Adjustable handle

The handle F120B is designed for fixing 17–27" screens and TVs with a maximum load capacity of 7 kg.

Adjustment range:

inclination angle + 50°/– 35°,

trading range up to 180° minimum distance from the wall 85 mm,

maximum distance from the wall 254 mm.

Pivot function.

It is compatible with VESA:

VESA 75 (hole distance 75 × 75 mm),

VESA 100 (hole distance 100 × 100 mm).

The assembly set for Sand Wall is dedicated to the holder.

See [price list for the handles](#).

Media ports


Media ports – available in various types and configurations, to be ordered separately, see [media ports price list](#).

Sample order

When creating a Sand model name, you have to give information about its features according to the table below.
To make it easier, next to each model in the

pricelist there is a ready-to-use name with empty fields that need to be completed according to a given legend. Particular modules or equipment of particular modules are separated with the

"/" symbol. Modules are numbered from left to right.

Model	Description
	<p>SAND W04-1 WALL (5/4 H/L 1/1 2/2 2/2 2/2 3) BENCH (0/2 0/4 0/5) TABLE (H/L 6/6 7/7 8/8)</p>

- 1 Media
- 2 Upholstery type and colour (wall)
- 3 Wall cover colour
- 4 Bench upholstery type and colour
- 5 Bench finish colour
- 6 Type and orientation of an electric port in a table
- 7 Table top colour
- 8 Table base colour




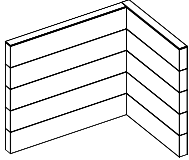
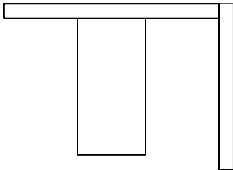
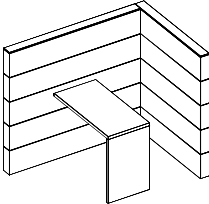

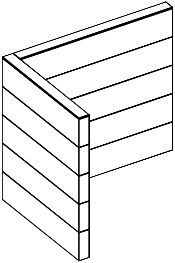
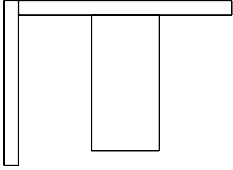
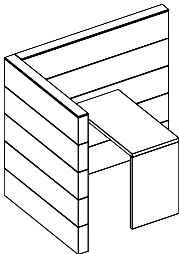
SAND W04-1 WALL (5/4 H/L MP2/MP1 CUZ1E|CUZ1P|CUZ1P|CUZ1P|CUZ1L NB)
 BENCH (0/2 0/CUZ1E 0/BI)
 TABLE (H/L MP10P/MP10P CA/BI BI/BI)

SAMPLE SAND WALL CONFIGURATION						
	model version	number of levels (counting from the bottom)	integration with a table	electric port /screen handle	colours	wall cover colour
Available options			L – low H – high	0 – without a port MP10 – rectangular cut out for media port Netbox Turn Comfort 3M	colours of particular levels including the upholstery type	colour from the available palette of finishes
Component name	W16-2	WALL (4/5	L/H	MP10	CUZ28 CUZ28 CUZ28 CUZ1P CUZ1L	NB)
Full name (notation) of a module	SAND W16-2 WALL (4/5 L/H MP10 CUZ28 CUZ28 CUZ28 CUZ1P CUZ1L NB)					

SAMPLE TABLE CONFIGURATION					
	table type	electric port type	port orientation	table top colour	base colour (low table)
Available versions	L – low H – high	0 – without a port MP2 – Ø 80 mm cut out for: grommet – not included or dedicated media port MP10 – rectangular cut out for media port Netbox Turn Comfort 3M	P – perpendicular to the wall R – parallel to the wall	colour from the available finishes *high table available only in white	colour from the available finishes *high table available only in white
Component name	L	MP10	P	BI	BI
Full name (notation) of a module	TABLE (L MP10P BI BI)				

Sand

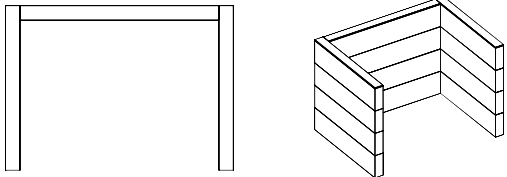
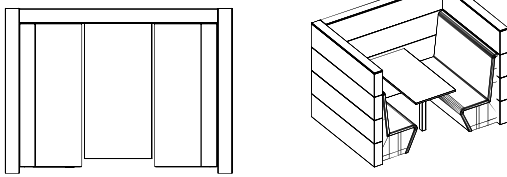
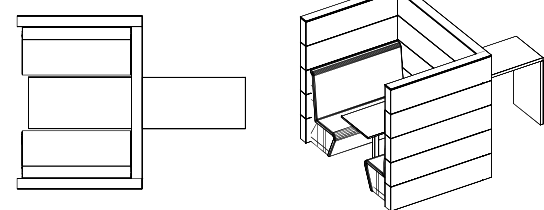
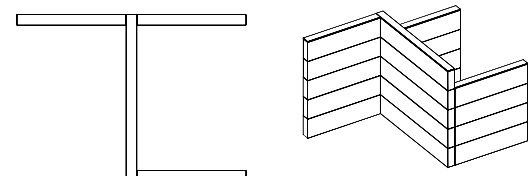
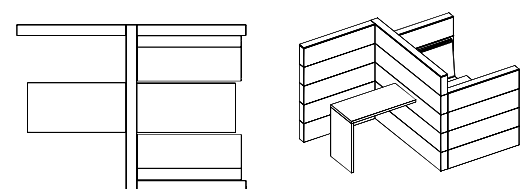
Sand

Model		Description
		<p>SAND W01-0 WALL (5 0 0 2 2 2 2 2 3)</p> <p>Height: 2 000 mm (5 levels) Width: 2 340 mm Depth: 1 700 mm</p>
		<p>SAND W01-1 WALL (5 H 1 2 2 2 2 2 3) TABLE (H 6 7 8)</p> <p>Height: 2 000 mm (5 levels) Width: 2 340 mm Depth: 1 700 mm</p>
		<p>SAND W02-0 WALL (5 0 0 2 2 2 2 2 3)</p> <p>Height: 2 000 mm (5 levels) Width: 2 340 mm Depth: 1 700 mm</p>
		<p>SAND W02-1 WALL (5 H 1 2 2 2 2 2 3) TABLE (H 6 7 8)</p> <p>Height: 2 000 mm (5 levels) Width: 2 340 mm Depth: 1 700 mm</p>

- 1** Media
- 2** Upholstery type and colour (wall)
- 3** Wall cover colour

- 4** Bench upholstery type and colour
- 5** Bench finish colour
- 6** Type and orientation of electrical port

- 7** Table top colour
- 8** Table base colour

Model	Description
	<p>SAND W03-0 WALL (4 0 0 2 2 2 2 3)</p> <p>Height: 1 600 mm (4 levels) Width: 2 350 mm Depth: 1 700 mm</p>
	<p>SAND W03-1 WALL (4 L 1 2 2 2 2 3) BENCH (2 4 5) TABLE (L 6 7 8)</p> <p>Height: 1 600 mm (4 levels) Width: 2 350 mm Depth: 1 700 mm</p>
	<p>SAND W03-2 WALL (5 L(H) 1 (1) 2 2 2 2 2 3) BENCH (2(0) 4 5) TABLE (L 6 7 8 H 6 7 8)</p> <p>Height: 2 000 mm (5 levels) Width: 2 350 mm Depth: 1 700 mm</p>
	<p>SAND W04-0 WALL (5/4 0/0/0/0 2 2 2 2 2 3)</p> <p>Height: 2 000/1 600 mm (5/4 level) Width: 2 350 mm Depth: 3 250 mm</p>
	<p>SAND W04-1 WALL (5/4 H/L 1 (1) 2 2 2 2 2 3) BENCH (0/2 0/4 0/5) TABLE (H/L 6 / 6 7 / 7 8 / 8)</p> <p>Height: 2 000/1 600 mm (5/4 level) Width: 2 350 mm Depth: 3 250 mm</p>

1 Media

2 Upholstery type and colour (wall)

3 Wall cover colour

4 Bench upholstery type and colour

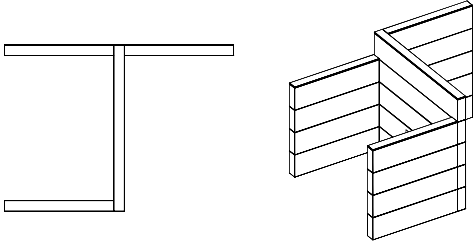
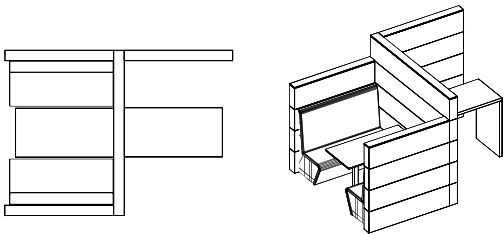
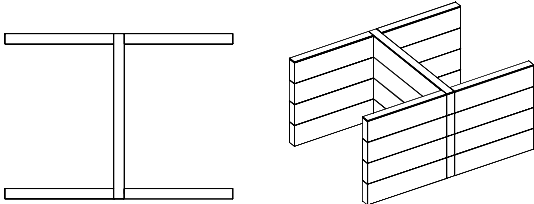
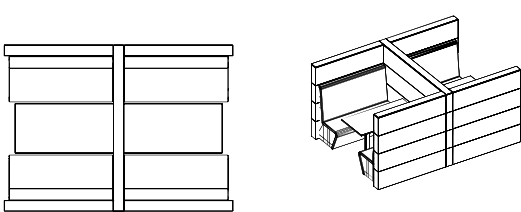
5 Bench finish colour

6 Type and orientation of electrical port

7 Table top colour

8 Table base colour

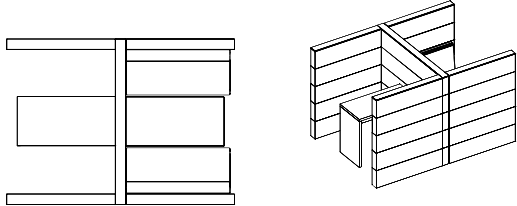
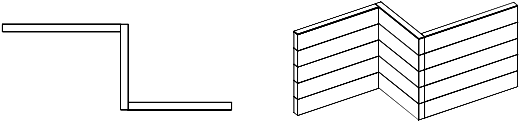
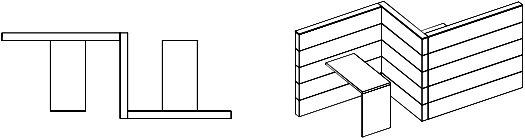
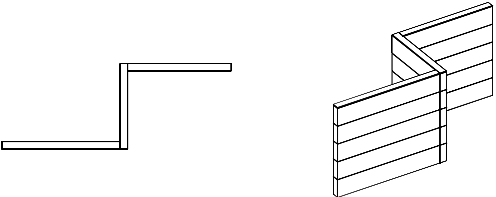
Sand

Model	Description
	<p>SAND W05-0 WALL (4/5 0/0 0/0 2 2 2 2 2 3)</p> <p>Height: 1 600/2 000 mm (4/5 levels) Width: 2 350 mm Depth: 3 250 mm</p>
	<p>SAND W05-1 WALL (4/5 L/H 1 / 1 2 2 2 2 2 3) BENCH (2/0 4 / 0 5 / 0 TABLE (L/H 6 / 6 7 / 7 8 / 8)</p> <p>Height: 1 600/2 000 mm (4/5 levels) Width: 2 350 mm Depth: 3 250 mm</p>
	<p>SAND W06-0 WALL (4/4 0/0 0/0 2 2 2 2 3)</p> <p>Height: 1 600 mm (4 levels) Width: 2 350 mm Depth: 3 250 mm</p>
	<p>SAND W06-1 WALL (4/4 L/L 1 / 1 2 2 2 2 3) BENCH (2/2 4 / 4 5 / 5) TABLE (L/L 6 / 6 7 / 7 8 / 8)</p> <p>Height: 1 600 mm (4 levels) Width: 2 350 mm Depth: 3 250 mm</p>

- 1** Media
- 2** Upholstery type and colour (wall)
- 3** Wall cover colour

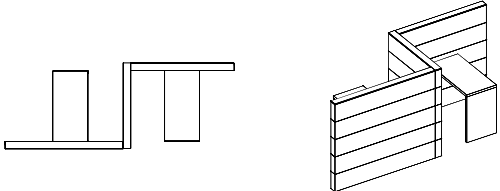
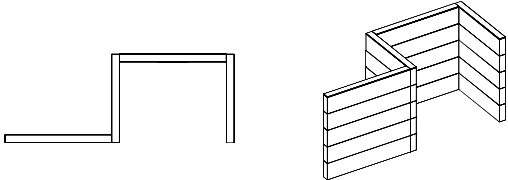
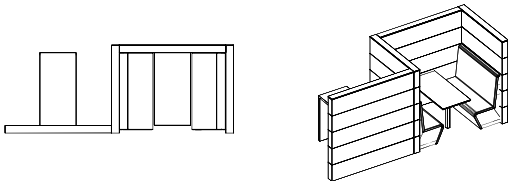
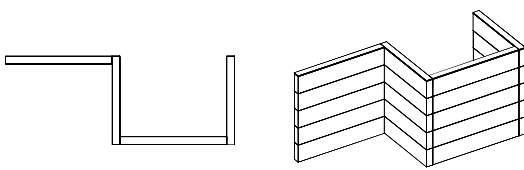
- 4** Bench upholstery type and colour
- 5** Bench finish colour
- 6** Type and orientation of electrical port

- 7** Table top colour
- 8** Table base colour

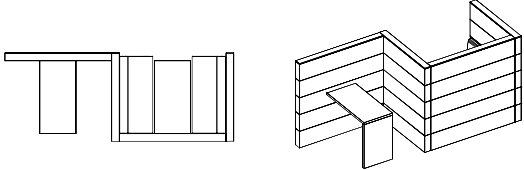
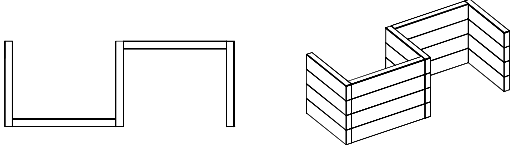
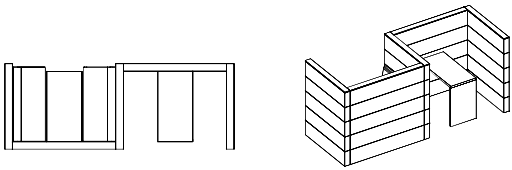
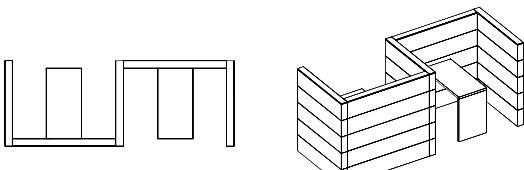
Model	Description
	<p>SAND W06-2 WALL (5/5 H/L 1/1 2/2 2 2 2 2 3) BENCH (0/2 0/4 0/5) TABLE (H/L 6/6 7/7 8/8)</p> <p>Height: 2 000 mm (5 levels) Width: 2 350 mm Depth: 3 250 mm</p>
	<p>SAND W07-0 WALL (5/5 0/0 0/0 2 2 2 2 2 3)</p> <p>Height: 2 000 mm (5 levels) Width: 4 280 mm Depth: 1 700 mm</p>
	<p>SAND W07-1 WALL (5/5 H/H 1/1 2/2 2 2 2 2 3) TABLE (H/H 6/6 7/7 8/8)</p> <p>Height: 2 000 mm (5 levels) Width: 4 280 mm Depth: 1 700 mm</p>
	<p>SAND W08-0 WALL (5/5 0/0 0/0 2 2 2 2 2 3)</p> <p>Height: 2 000 mm (5 levels) Width: 4 280 mm Depth: 1 700 mm</p>

- 1** Media
- 2** Upholstery type and colour (wall)
- 3** Wall cover colour
- 4** Bench upholstery type and colour
- 5** Bench finish colour
- 6** Type and orientation of electrical port
- 7** Table top colour
- 8** Table base colour

Sand

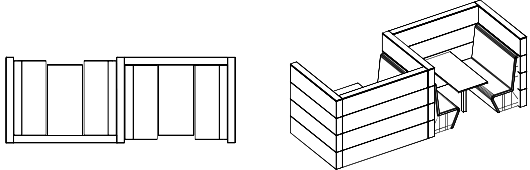
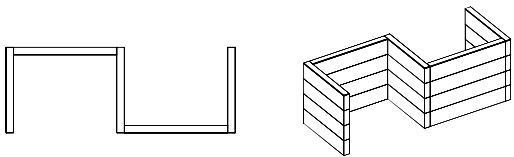
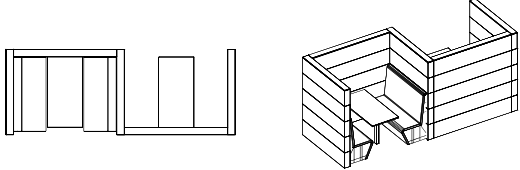
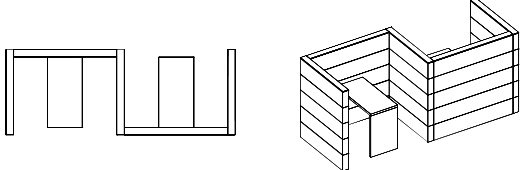
Model	Description
	<p>SAND W08-1 WALL (5/5 H/H 1/1 2/2 2/2 2/2 3) TABLE (H/H 6/6 7/7 8/8)</p> <p>Height: 2 000 mm (5 levels) Width: 4 280 mm Depth: 1 700 mm</p>
	<p>SAND W09-0 WALL (5/5 0/0 0/0 2/2 2/2 2/2 3)</p> <p>Height: 2 000 mm (5 levels) Width: 4 420 mm Depth: 1 700 mm</p>
	<p>SAND W09-1 WALL (5/5 H/L 1/1 2/2 2/2 2/2 3) BENCH (0/2 0/4 0/5) TABLE (H/L 6/6 7/7 8/8)</p> <p>Height: 2 000 mm (5 levels) Width: 4 420 mm Depth: 1 700 mm</p>
	<p>SAND W10-0 WALL (5/5 0/0 0/0 2/2 2/2 2/2 3)</p> <p>Height: 2 000 mm (5 levels) Width: 4 420 mm Depth: 1 700 mm</p>

- 1** Media
- 2** Upholstery type and colour (wall)
- 3** Wall cover colour
- 4** Bench upholstery type and colour
- 5** Bench finish colour
- 6** Type and orientation of electrical port
- 7** Table top colour
- 8** Table base colour

Model	Description
	<p>SAND W10-1 WALL (5/5 H/L 1/1 2/2 2/2 2/2 3) BENCH (0/2 0/4 0/5) TABLE (H/L6/6 7/7 8)</p> <p>Height: 2 000 mm (5 levels) Width: 4 420 mm Depth: 1 700 mm</p>
	<p>SAND W11-0 WALL (4/4 0/0 2/2 2/2 2 3)</p> <p>Height: 1 600 mm (4 levels) Width: 4 550 mm Depth: 1 700 mm</p>
	<p>SAND W11-1 WALL (5/5 L/H 1/1 2/2 2/2 2/2 2 3) BENCH (2/0 4/0 5/0) TABLE (L/H 6/6 7/7 8/8)</p> <p>Height: 2 000 mm (5 levels) Width: 4 550 mm Depth: 1 700 mm</p>
	<p>SAND W11-2 WALL (5/5 H/H 1/1 2/2 2/2 2/2 2 3) TABLE (H/H 6/6 7/7 8/8)</p> <p>Height: 2 000 mm (5 levels) Width: 4 550 mm Depth: 1 700 mm</p>

- 1** Media
- 2** Upholstery type and colour (wall)
- 3** Wall cover colour
- 4** Bench upholstery type and colour
- 5** Bench finish colour
- 6** Type and orientation of electrical port
- 7** Table top colour
- 8** Table base colour

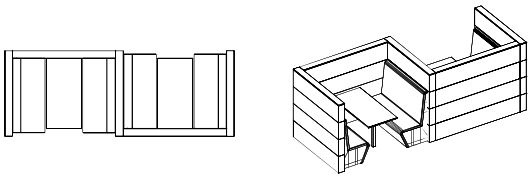
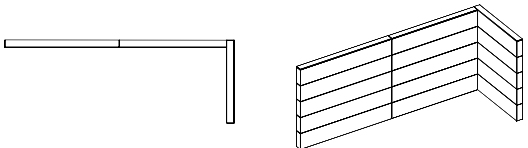
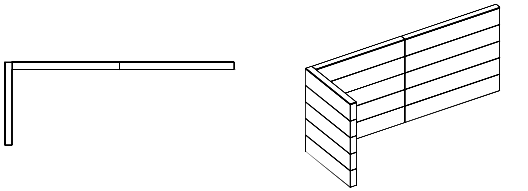
Sand

Model	Description
	<p>SAND W11-3 WALL (4/4 L/L (1/1 2/2 2/2 2/3)) BENCH (2/2 (4/4 5/5)) TABLE (L/L (6/6 7/7 8/8))</p> <p>Height: 1 600 mm (4 levels) Width: 4 550 mm Depth: 1 700 mm</p>
	<p>SAND W12-0 WALL (4/4 0/0 0/0 (2/2 2/2 2/3))</p> <p>Height: 1 600 mm (4 levels) Width: 4 550 mm Depth: 1 700 mm</p>
	<p>SAND W12-1 WALL (5/5 L/H (1/1 2/2 2/2 2/2 2/3)) BENCH (2/0 (4/0 5/0)) TABLE (L/H (6/6 7/7 8/8))</p> <p>Height: 2 000 mm (5 levels) Width: 4 550 mm Depth: 1 700 mm</p>
	<p>SAND W12-2 WALL (5/5 H/H (1/1 2/2 2/2 2/2 2/3)) TABLE (H/H (6/6 7/7 8/8))</p> <p>Height: 2 000 mm (5 levels) Width: 4 550 mm Depth: 1 700 mm</p>

- 1 Media
- 2 Upholstery type and colour (wall)
- 3 Wall cover colour

- 4 Bench upholstery type and colour
- 5 Bench finish colour
- 6 Type and orientation of electrical port

- 7 Table top colour
- 8 Table base colour

Model	Description
	<p>SAND W12-3 WALL (4/4 L/L ①/① ② ② ② ② ③) BENCH (2/2 ④/④ ⑤/⑤) TABLE (L/L ⑥/⑥ ⑦/⑦ ⑧/⑧)</p> <p>Height: 1 600 mm (4 levels) Width: 4 550 mm Depth: 1 700 mm</p>
	<p>SAND W13-0 WALL (5 0/0 0/0 ② ② ② ② ② ③)</p> <p>Height: 2 000 mm (5 levels) Width: 4 280 mm Depth: 1 700 mm</p>
	<p>SAND W14-0 WALL (5 0/0 0/0 ② ② ② ② ② ③)</p> <p>Height: 2 000 mm (5 levels) Width: 4 280 mm Depth: 1 700 mm</p>

① Media

② Upholstery type and colour (wall)

③ Wall cover colour

④ Bench upholstery type and colour

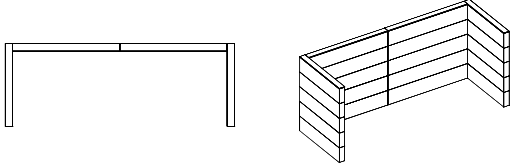
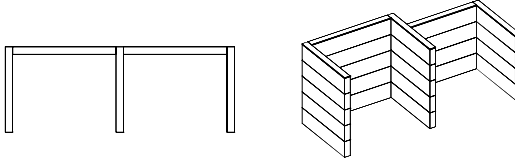
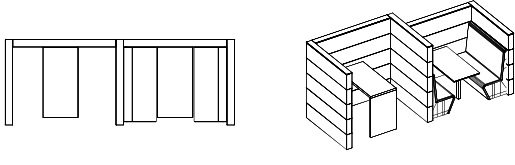
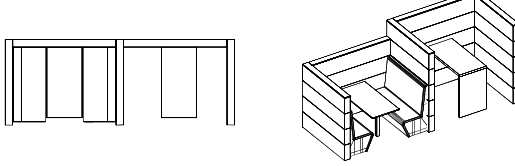
⑤ Bench finish colour

⑥ Type and orientation of electrical port

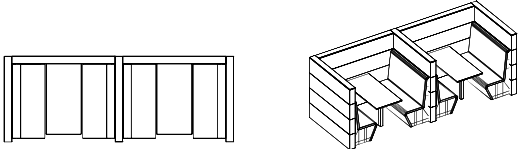
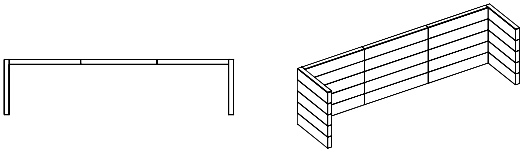
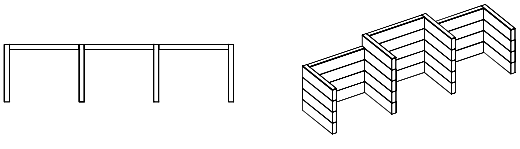
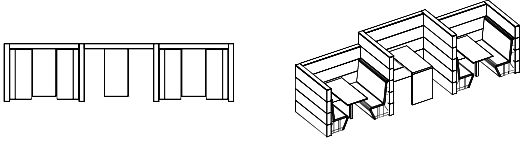
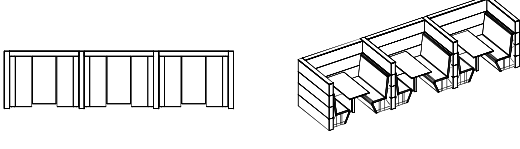
⑦ Table top colour

⑧ Table base colour

Sand

Model	Description
	<p>SAND W15-0 WALL (5 0/0 0/0 2 2 2 2 2 3)</p> <p>Height: 2 000 mm (5 levels) Width: 4 420 mm Depth: 1 700 mm</p>
	<p>SAND W16-0 WALL (5/4 0/0 0/0 2 2 2 2 2 3)</p> <p>Height: 2 000/1 600 mm (5/4 level) Width: 4 550 mm Depth: 1 700 mm</p>
	<p>SAND W16-1 WALL (5/4 H/L 1 1 2 2 2 2 2 3) BENCH (0/2 0/4 0/5) TABLE (H/L 6/6 7/7 8/8)</p> <p>Height: 2 000/1 600 mm (5/4 level) Width: 4 550 mm Depth: 1 700 mm</p>
	<p>SAND W16-2 WALL (4/5 L/H 1 1 2 2 2 2 2 3) BENCH (2/0 4/0 5/0) TABLE (L/H 6/6 7/7 8/8)</p> <p>Height: 1 600/2 000 mm (4/5 levels) Width: 4 550 mm Depth: 1 700 mm</p>

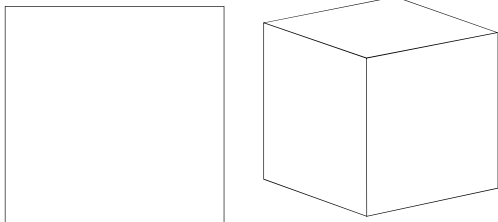
- 1** Media
- 2** Upholstery type and colour (wall)
- 3** Wall cover colour
- 4** Bench upholstery type and colour
- 5** Bench finish colour
- 6** Type and orientation of electrical port
- 7** Table top colour
- 8** Table base colour

Model	Description
	<p>SAND W16-3 WALL (4/4 L/L ①/① ② ② ② ② ③) BENCH (2/2 ④/④ ⑤/⑤) TABLE (L/L ⑥/⑥ ⑦/⑦ ⑧/⑧)</p> <p>Height: 1.600 mm (4 levels) Width: 4.550 mm Depth: 1.700 mm</p>
	<p>SAND W17-0 WALL (5 0 0 ② ② ② ② ③)</p> <p>Height: 2.000 mm (5 levels) Width: 6.480 mm Depth: 1.700 mm</p>
	<p>SAND W18-0 WALL (4/5/4 0/0/0 0/0/0 ② ② ② ② ② ③)</p> <p>Height: 1.600/2.000/1.600 mm (4/5/4 level) Width: 6.750 mm Depth: 1.700 mm</p>
	<p>SAND W18-1 WALL (4/5/4 L/H/L ①/①/① ② ② ② ② ② ③) BENCH (2/0/2 ④/0/④ ⑤/0/⑤) TABLE (L/H/L ⑥/⑥/⑥ ⑦/⑦/⑦ ⑧/⑧/⑧)</p> <p>Height: 1.600/2.000/1.600 mm (4/5/4 level) Width: 6.750 mm Depth: 1.700 mm</p>
	<p>SAND W18-2 WALL (4/4/4 L/L/L ①/①/① ② ② ② ② ③) BENCH (2/2/2 ④/④/④ ⑤/⑤/⑤) TABLE (L/L/L ⑥/⑥/⑥ ⑦/⑦/⑦ ⑧/⑧/⑧)</p> <p>Height: 1.600 mm (4 levels) Width: 6.750 mm Depth: 1.700 mm</p>

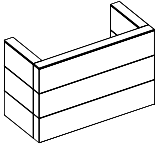
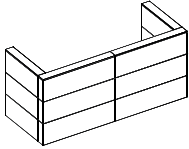
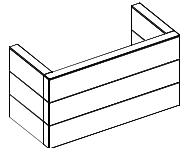
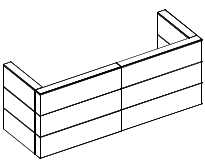
- ① Media
- ② Upholstery type and colour (wall)
- ③ Wall cover colour
- ④ Bench upholstery type and colour
- ⑤ Bench finish colour
- ⑥ Type and orientation of electrical port
- ⑦ Table top colour
- ⑧ Table base colour

Pouffes

Sand

Model	Description	
	SAND POUFFE (W ¹ D ² H450 ³ ⁴)	
	depth: 450	width: 450
		width: 750
		width: 900
		width: 1.120
		width: 1.500
		width: 1.650
	depth: 900	width: 1.500
depth: 1.050	width: 1.050	

- 1 Width
- 2 Depth
- 3 Type and colour of upholstery
- 4 Type of glides/castors:
 - SHH – Castors for hard floors +€21
 - SH – Castors for soft floors +€21
 - GRG1 – glides

Model	Description	Hight [mm]	Width [mm]	Depth [mm]	Recommended desk dimensions [mm]
	<p>SAND RECEPTION R01-1 W ① D900 H1200 ② ② ② ③</p> <p>Reception for 1 desk Height: 1 200 mm 3 levels For desks with a max. depth: 600 mm</p>	1200 (3 levels)	1920	900	1600 × 600
			2120		1800 × 600
			2320		2000 × 600
	<p>SAND RECEPTION R02-1 W ① D900 H1200 ② ② ② ③</p> <p>Reception for 2 desks Height: 1 200 mm 3 levels For desks with a max. depth: 600 mm</p>	1200 (3 levels)	2720	900	2 × 1200 × 600
			3120		2 × 1400 × 600
			3520		2 × 1600 × 600
	<p>SAND RECEPTION R01-2 W ① D1100 H1200 ② ② ② ③</p> <p>Reception for 1 desk Height: 1 200 mm 3 levels For desks with a max. depth: 800 mm</p>	1200 (3 levels)	1920	1100	1600 × 800
			2120		1800 × 800
			2320		2000 × 800
	<p>SAND RECEPTION R02-2 W ① D1100 H1200 ② ② ② ③</p> <p>Reception for 2 desks Height: 1 200 mm 3 levels For desks with a max. depth: 800 mm</p>	1200 (3 levels)	2720	1100	2 × 1200 × 800
			3120		2 × 1400 × 800
			3520		2 × 1600 × 800

- ① Width
- ② Type and colour of upholstery
- ③ Cover colour